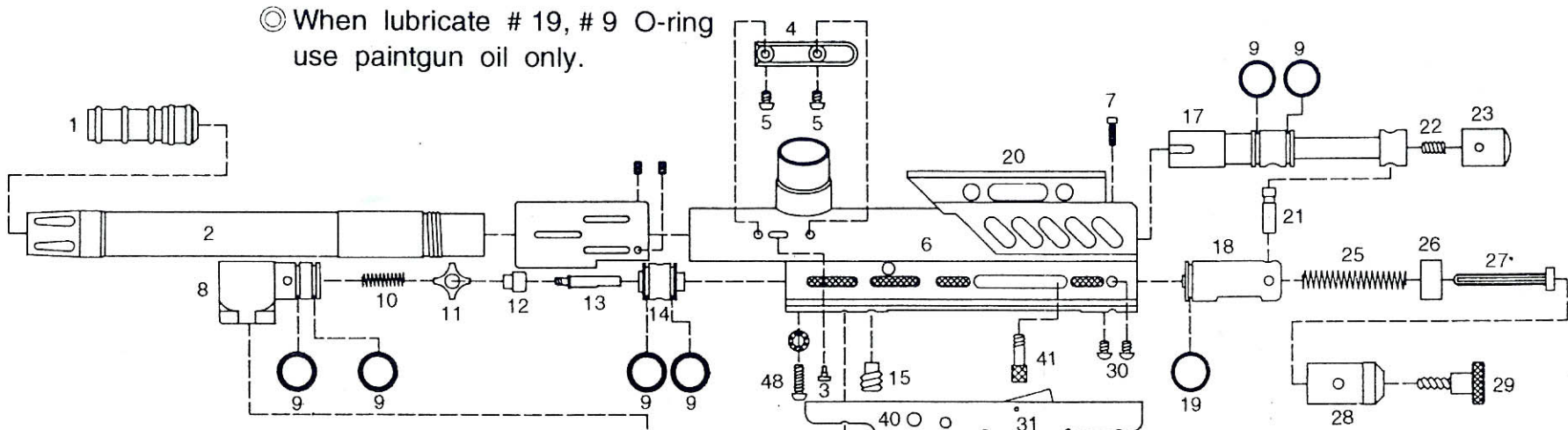


CAUTION

⊙ When lubricate # 19, # 9 O-ring use paintgun oil only.



NAME OF PARTS

- | | | |
|-----------------------------|------------------------------|--|
| 1. Muzzle plug | 18. Striker | |
| 2. Barrel | 19. Striker O-ring | |
| 3. Ball stopper | 20. Sight Rail | |
| 4. Detent Cover | 21. Bolt pin | |
| 5. M4×6 screw | 22. Bolt Screw | |
| 6T. Receiver | 23. Bolt Plug | |
| 7. M4×12 screw | 24. Double Trigger | |
| 8. Vertical adapter | 25. Striker Spring | |
| 9. O-ring # 015 80D | 26. Striker Buffer | |
| 10. Valve Spring | 27. Striker Spring Guide | |
| 11. Cup Seal Guide | 28. Striker Plug | |
| 12. Cup seal | 29. Adjust Screw | |
| 13. Valve pin | 30. Striker Plug Screw | |
| 14. Valve Body | 31. Frame & Trigger Assembly | |
| 15. Valve Body Screw | 32. 45 Grip | |
| 16. Screw M5×12 with washer | 33. Grip Cover | |
| 17. Bolt with Venturi | 34. 1/4"X 5/8" Screw | |
| | 35. Grip Cover Screw | |
| | 36. C/A Adaptor | |
| | 37. 5/32" x 1" Screw | |
| | 38. 5/32" x 1 1/4" Screw | |
| | 40. Safety Button | |
| | 41. Striker Knob | |
| | 42. Expansion Chamber | |
| | 43. Disconnect Hose | |
| | 44. M4 x 4 Screw | |
| | 45. Shroud | |
| | 46. O-Ring #011 | |
| | 47. O-Ring #010 | |
| | 48. M5 x 14 with washer | |